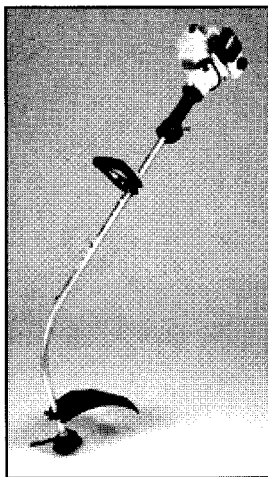




ILLUSTRATED PARTS LIST

TRI MAC 210

CE



October 1999

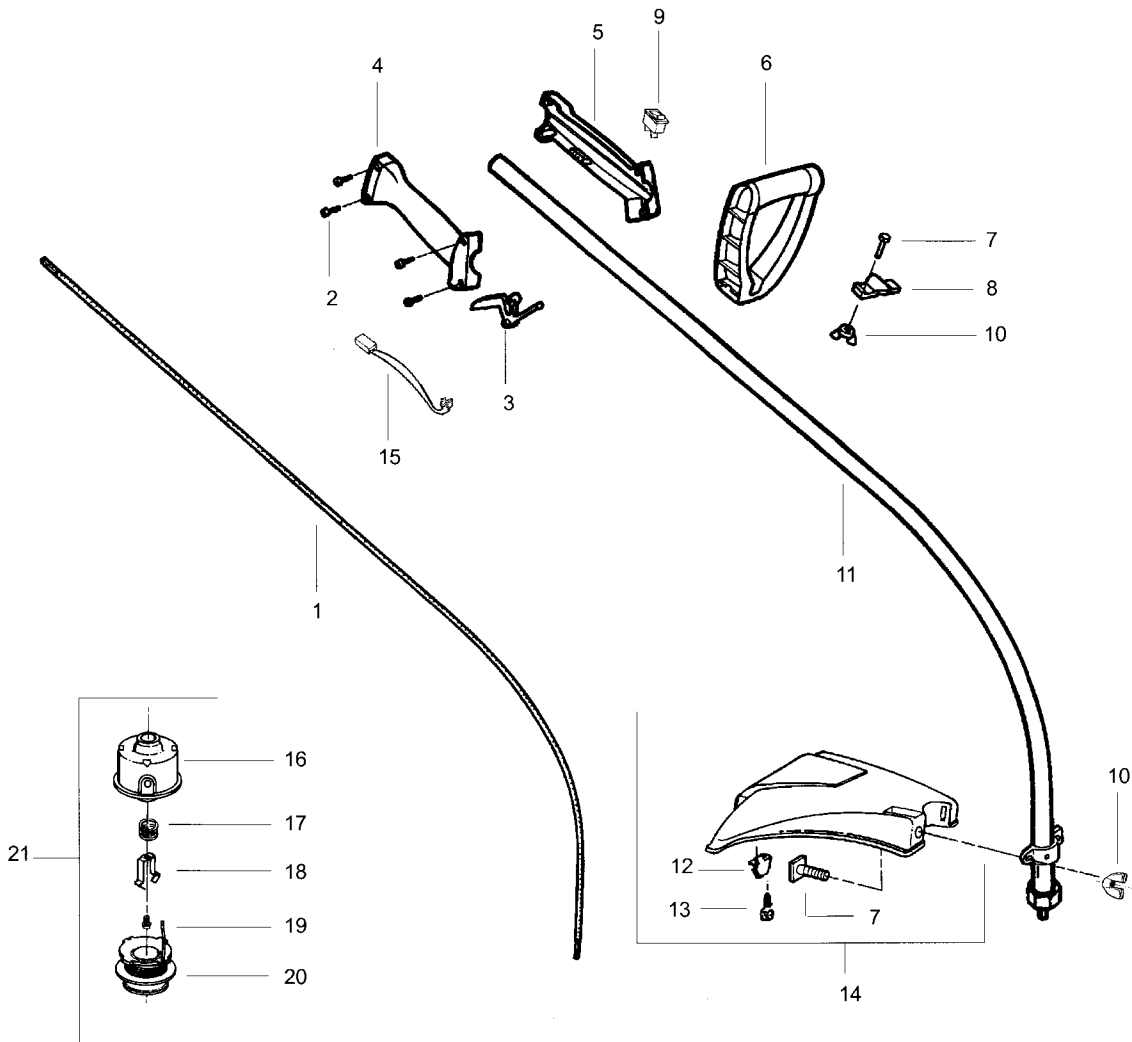
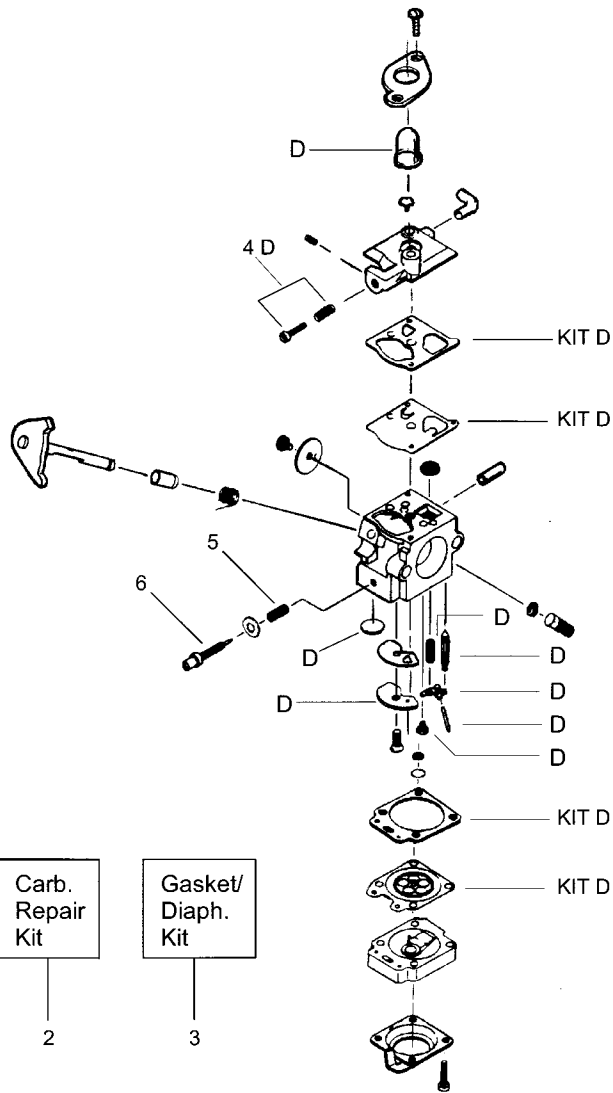


FIGURE 2

1	530095613	Drive Shaft- -45"	19	530401467	Screw w/Washer- -Head
2	530016273	Screw- -Throttle Hsg.	20	248287B	Spool w/Line
3	530038682	Trigger	21	248285B	Cutting Head
4	530038581	Throttle Hsg. (Right)			(Incl. 16- -20)
5	530038580	Throttle Hsg. (Left)			
6	530038708	Assist Handle			
7	530015820	Bolt- -Handle/Shield			
8	530094742	Clamp- -Handle			
9	530069572	Switch Kit			
10	530401992	Wingnut- -Handle/Shield			
11	530069883	Drive Shaft Hsg. Ass.y			
12	530052287	Line Limiter			
13	530015957	Screw- -Line Limiter			
14	530069686	Shield Kit Ass.y. (Incl. 7, 10, 12 & 13)			
15	530049072	Switch & Wire Ass.y.			
16	530069690	Hub Ass.y.			
17	530401464	Spring- -Compression			
18	530401466	Clip- -Retainer			

WALBRO WA 226



Carb.
Repair
Kit

Gasket/
Diaph.
Kit

2

3

- | | | |
|---|-----------|---|
| - | 530069754 | Carburetor Assembly |
| 1 | 530038404 | Limiter Cap |
| 2 | 530069838 | Carburetor Repair Kit
(D Indicates Contents) |
| 3 | 530069844 | Gasket/Diaphragm Kit
(KIT= Indicates Contents) |
| 4 | 530035296 | Idle Screw & Spring Kit |
| 5 | 530035342 | Low Speed Spring |
| 6 | 530035341 | Low Speed Needle |

FIGURE 3